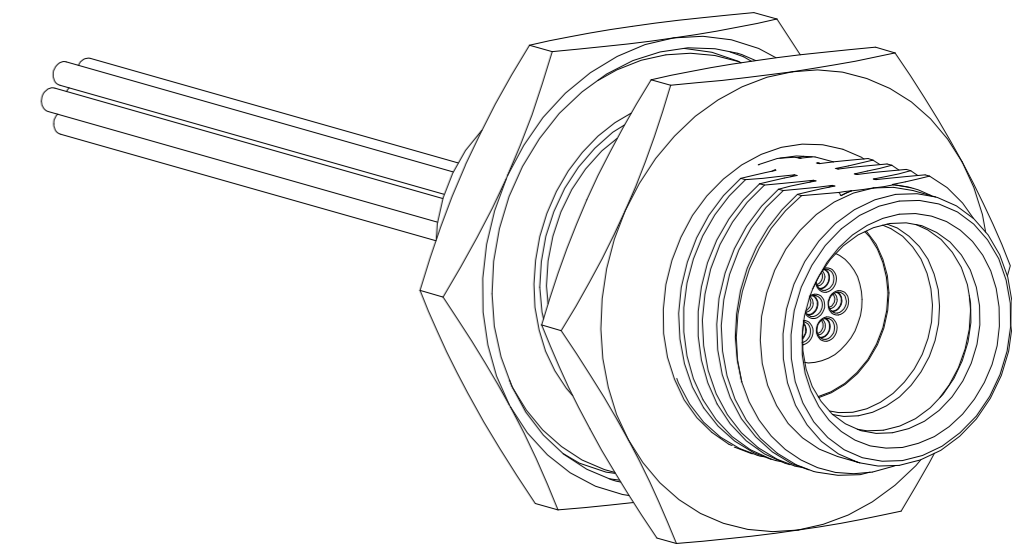
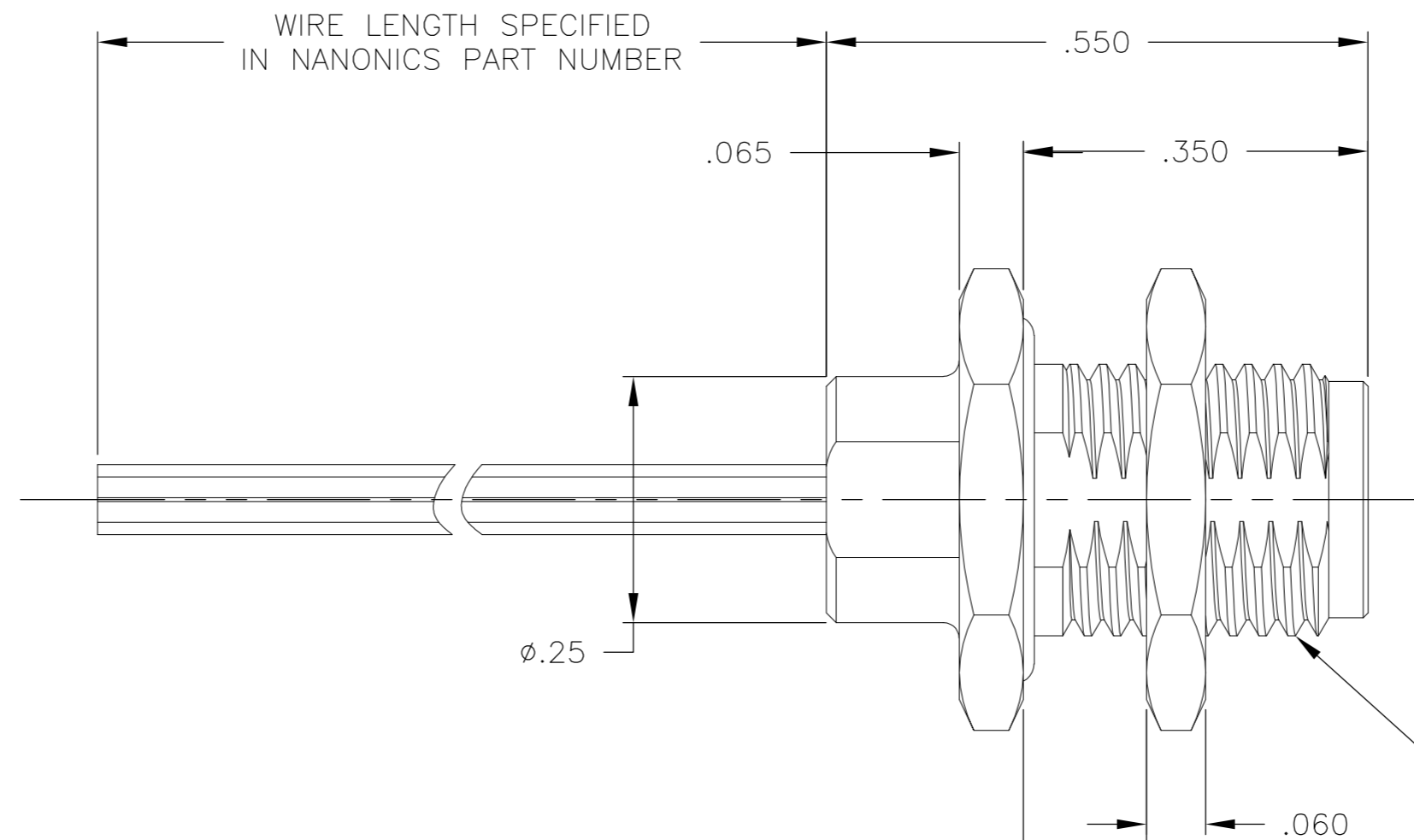
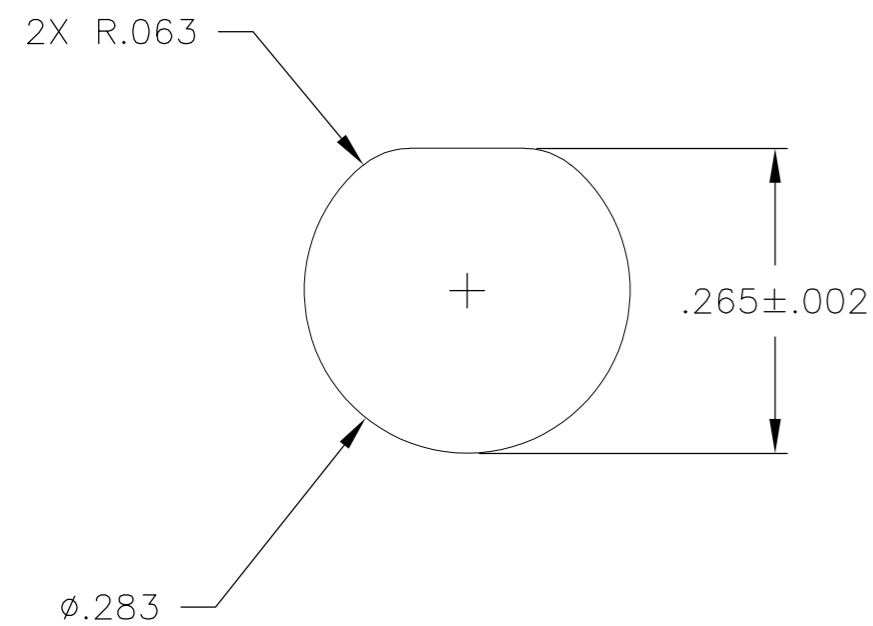


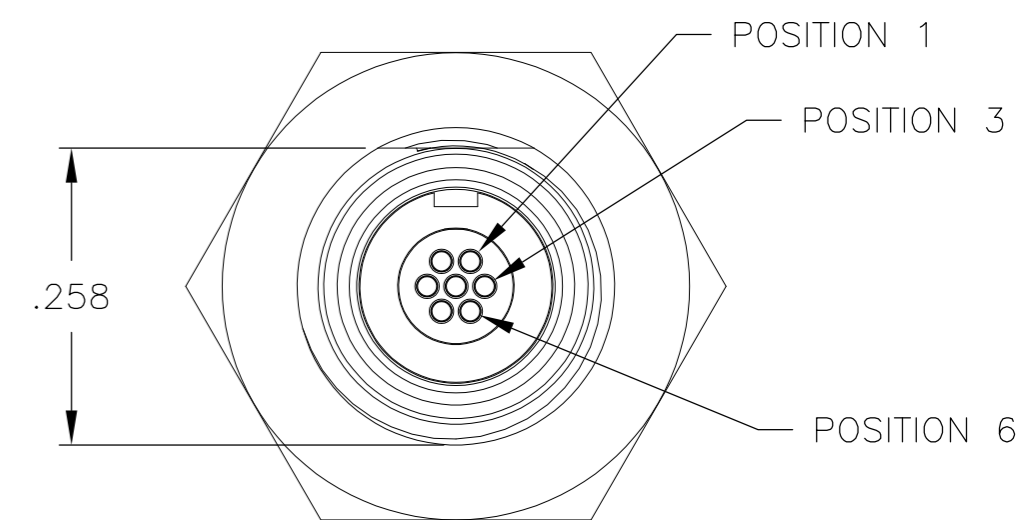
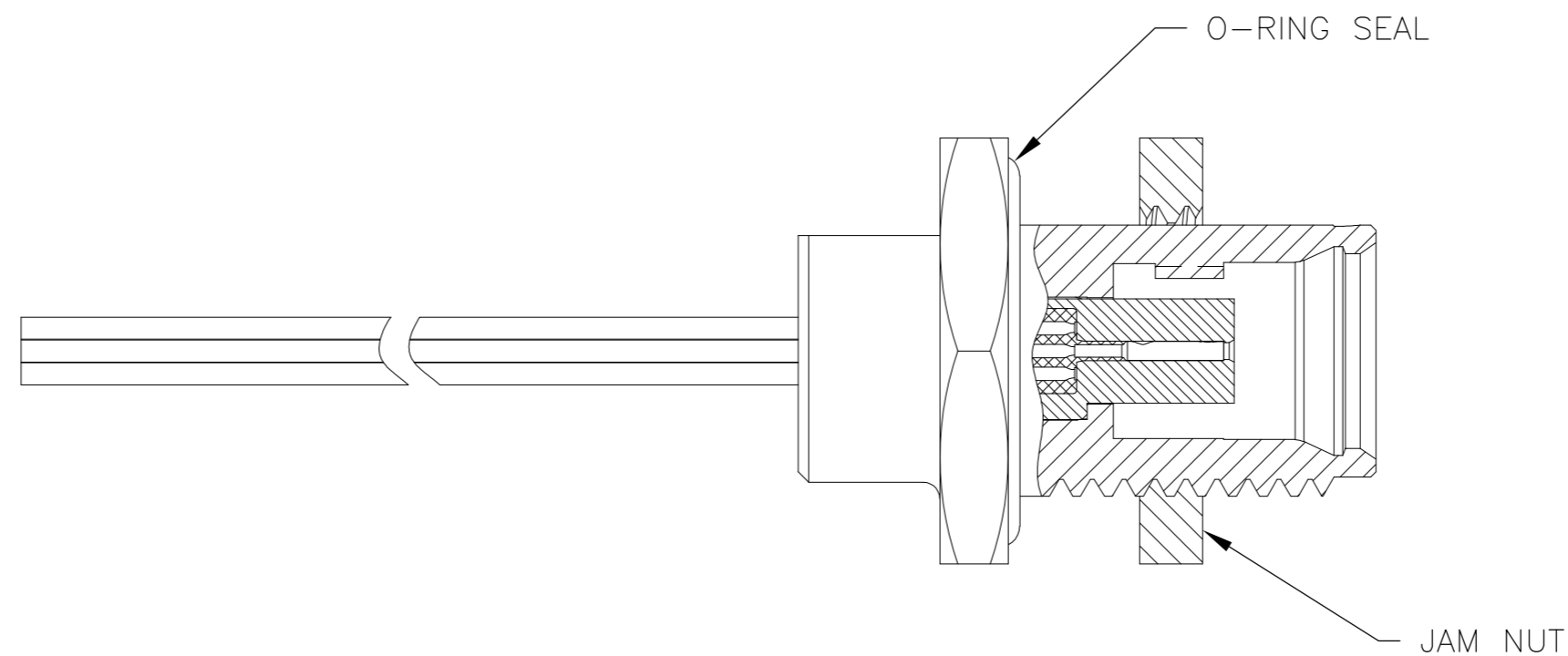
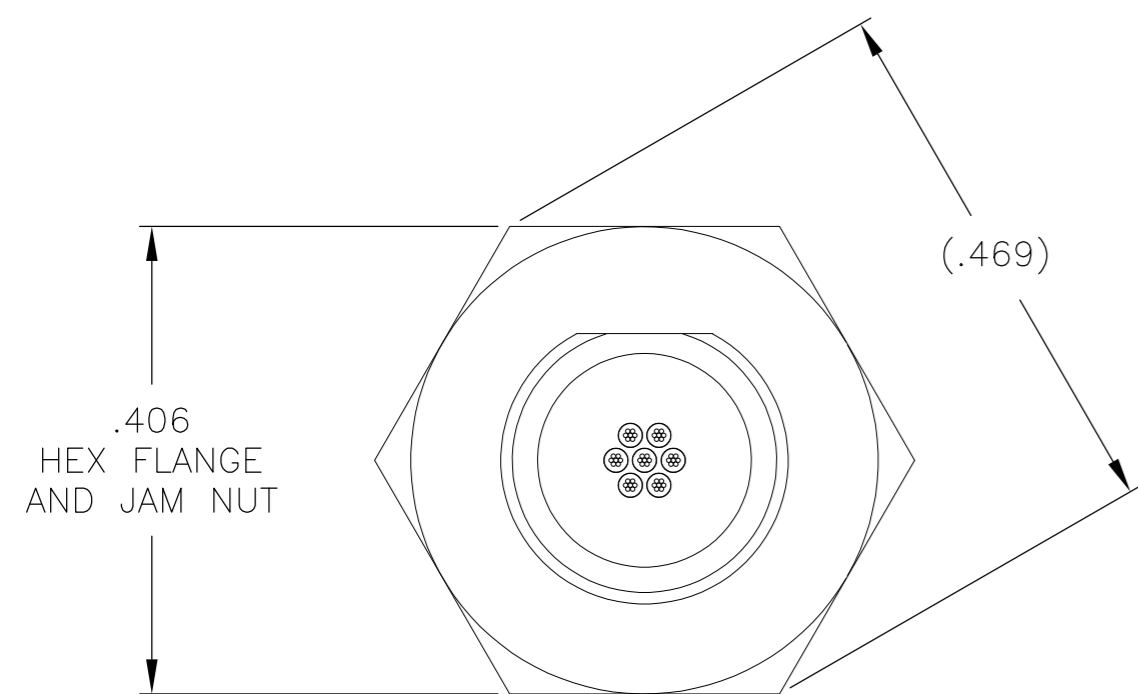
THIS DRAWING IS UNPUBLISHED. RELEASED FOR PUBLICATION
 © COPYRIGHT - By - ALL RIGHTS RESERVED.

LOC		DIST		REVISIONS			
P	LTR	DATE	DWN	APVD			
H		UPDATE PER ECO-11-013056	23 JUN 11	CAS	MKS		

SUGGESTED PANEL CUT-OUT



.125 MAX PANEL THICKNESS FOR THREADED COUPLING
 .250 MAX PANEL THICKNESS FOR QUICK DISCONNECT



- CONNECTOR BODY AND JAM NUT MATERIAL: 6061-T6 ALUMINUM, ELECTROLESS NICKEL PLATED PER SAE-AMS-C-26074 OR SAE-AMS-2404E
 LOCKING RING MATERIAL: BERYLLIUM COPPER, ELECTROLESS NICKEL PLATED PER SAE-AMS-C-26074 OR SAE-AMS-2404E
 INSULATOR MATERIAL: LIQUID CRYSTAL POLYMER (LCP) PER ASTM D5138 OR POLYPHENYLENE SULFIDE (PPS) PER ASTM D4067
 O-RING MATERIAL: FLUOROSILICONE
- WIRE TERMINATION: 28 AWG SOLID, 30 AWG STRANDED WIRE OR SMALLER
- LUBRICATE O-RING WITH PARKER SUPER-O-LUBE PRIOR TO INSTALLATION
- THIS DRAWING PREVIOUSLY IDENTIFIED AS NANONICS 303-0029

THIS DRAWING IS A CONTROLLED DOCUMENT.		DWN M. STORRY 7 MAY 99		
DIMENSIONS: INCHES		CHK E. PAULUS 7 MAY 99		
TOLERANCES UNLESS OTHERWISE SPECIFIED:		APVD S. KAIN 27 JAN 00	NAME	
0 PLC ± - 1 PLC ± - 2 PLC ± .010 3 PLC ± .005 4 PLC ± - ANGLES ± 1°		PRODUCT SPEC	RECEPTACLE ASSEMBLY, CIRCULAR, PANEL MOUNT, THREADED COUPLING/ QUICK DISCONNECT, METAL, 7 POSITION	
MATERIAL SEE NOTES		FINISH SEE NOTES	SIZE A2	CAGE CODE 0PJN9
		WEIGHT -	DRAWING NO C=1589060	RESTRICTED TO -
		CUSTOMER DRAWING	SCALE 6:1	SHEET 1 OF 1
			REV H	